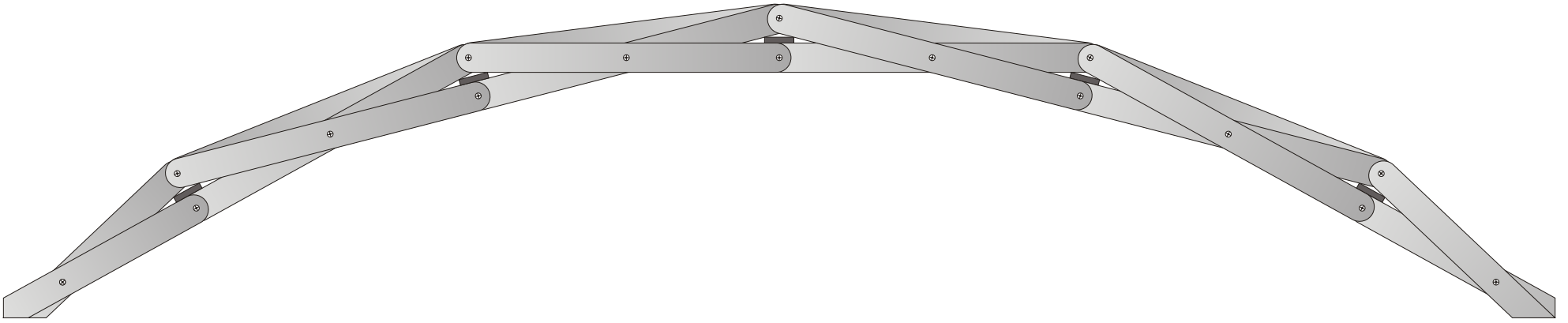
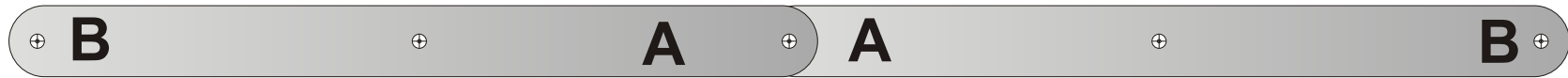


7.2334

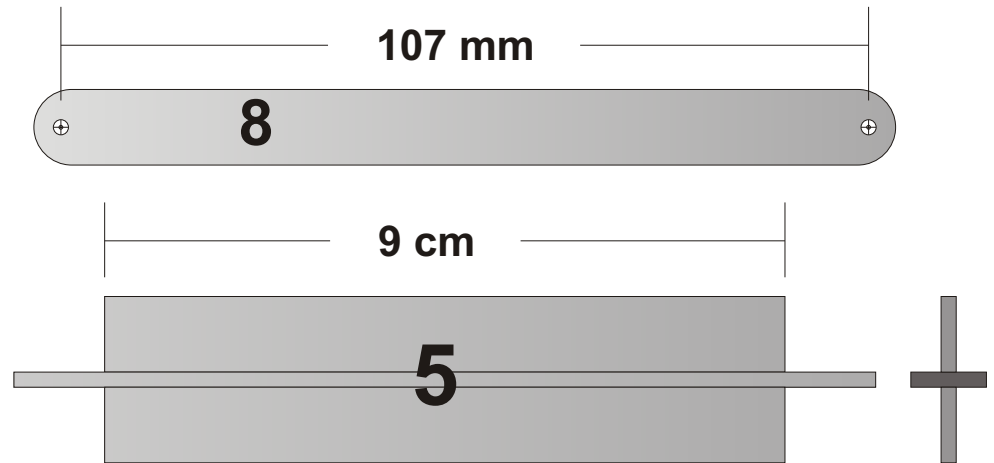


Print full size on 8½"x11" paper

2 - Pin the hole between the As  
and glue 10 pairs as below



1 - Cut out a couple of the 2 templates below  
Glue one of each on a popsicle stick  
Get a handful of something like 1" nails and  
a drill bit the same diameter.  
Carefully drill the 3 holes in one (mark the A ends  
so you don't get the ends mixed up)  
Drill the 2 holes in the other  
Using these wooden templates,  
drill 24 of one and 8 pieces of the other



3 - Cut 10 popsicle sticks to 9cm  
and glue them centred on a full length stick.

4 - Pin the 2 arches together with nails. Watch  
the weave. Parts should fit flat against each other.  
When the glue has dried on step 3, slip the  
cross-beams between the arches.  
If everything looks good, glue each connection,  
one after the other, on the whole assembly.  
Last, glue the cross-beams to the arches.

5. Glue a diagonal brace in each segment.  
Remove nails.  
Brace and trim as you see fit.