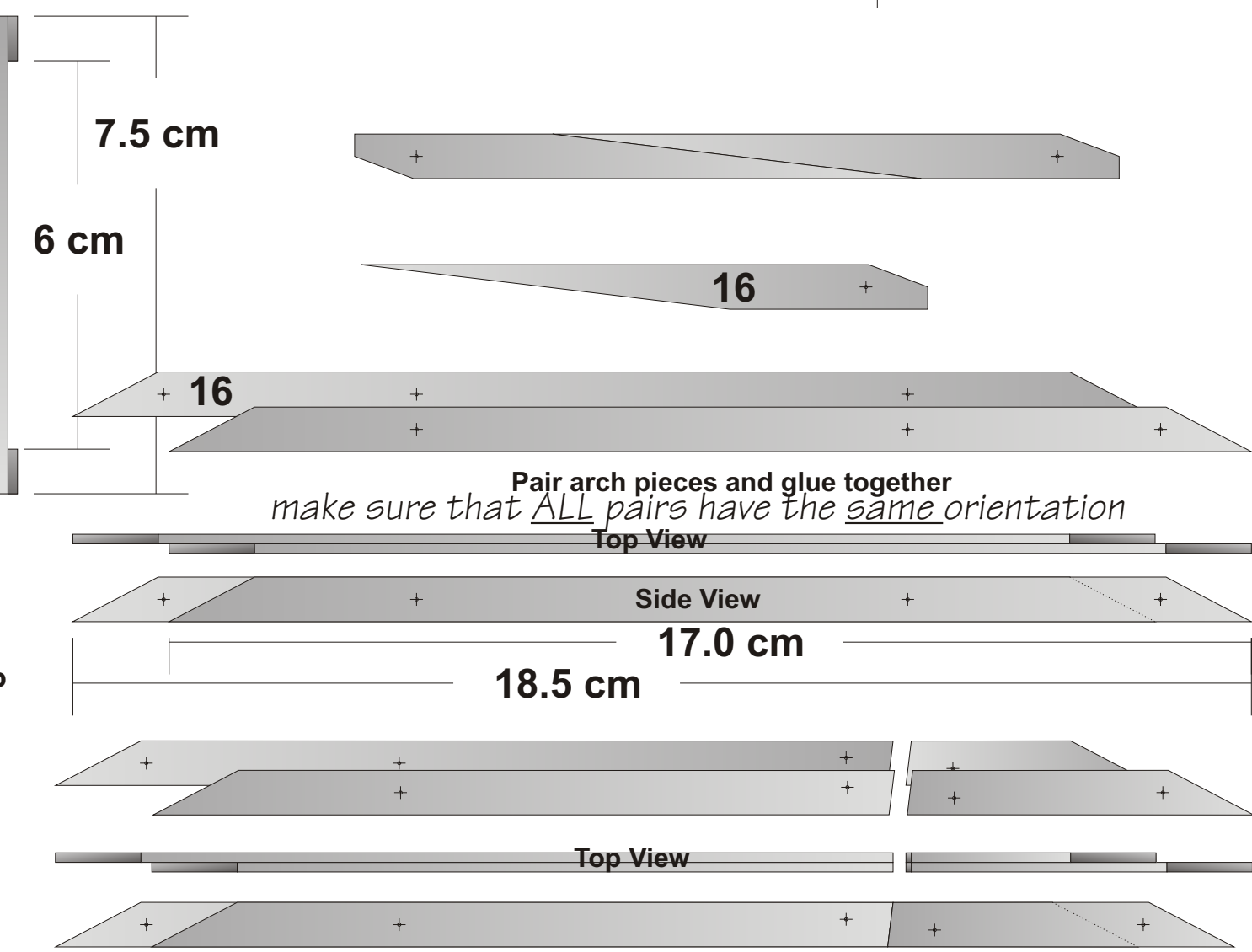
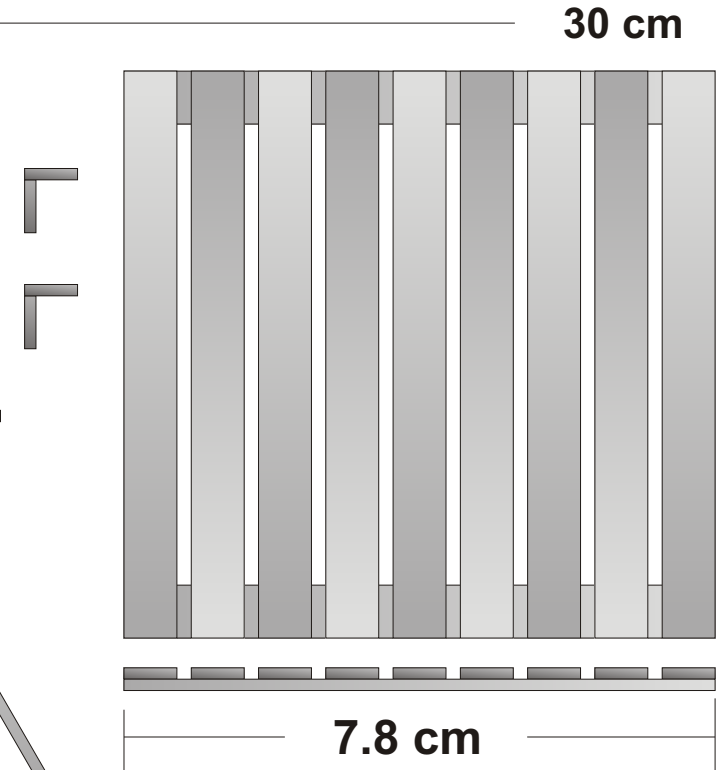
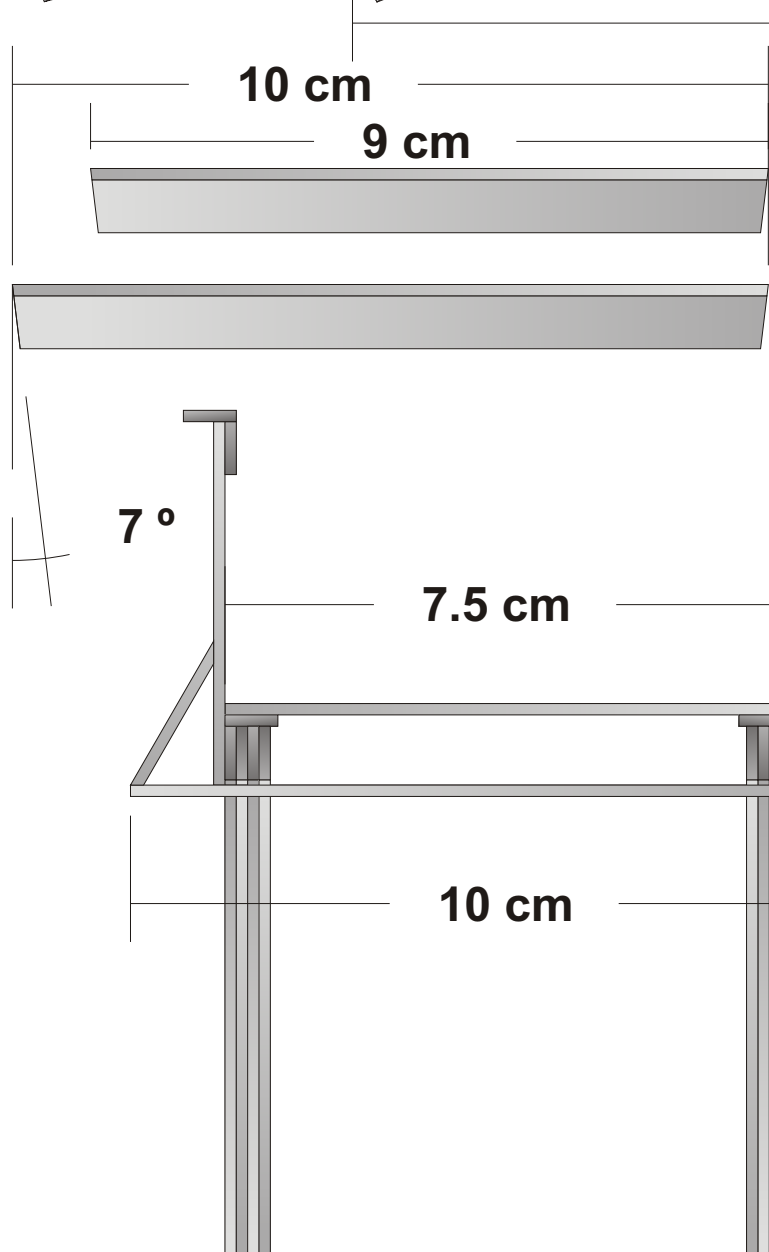
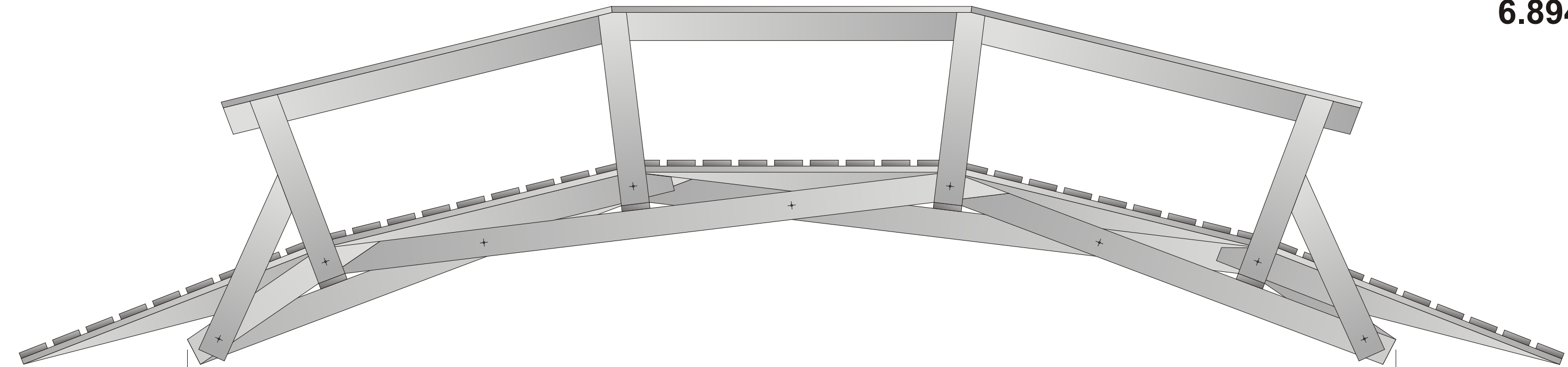


6.8940°



Drill the 2 extra holes in 4 paired pieces and cut as shown.

6.8940°

Print this page full size
Cut out a paper part,
gluestik it to a 7mm wide stir stick
(a bit over 1/4" wide)
trim the ends with a utility knife
use sewing pins to mark the holes

With this template make more parts
use sewing pins to assemble and glue.

